



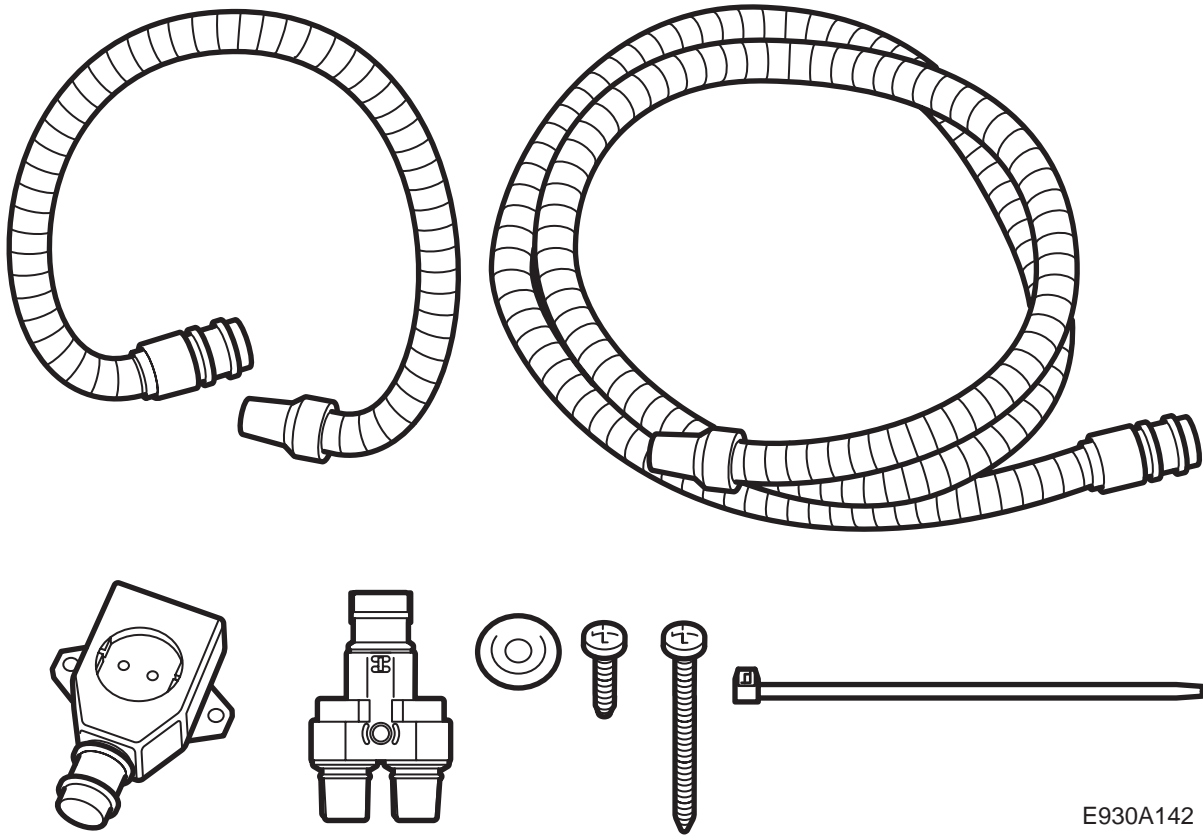
SAAB

**MONTERINGSANVISNING · INSTALLATION INSTRUCTIONS
MONTAGEANLEITUNG · INSTALLATIONS DE MONTAGE**

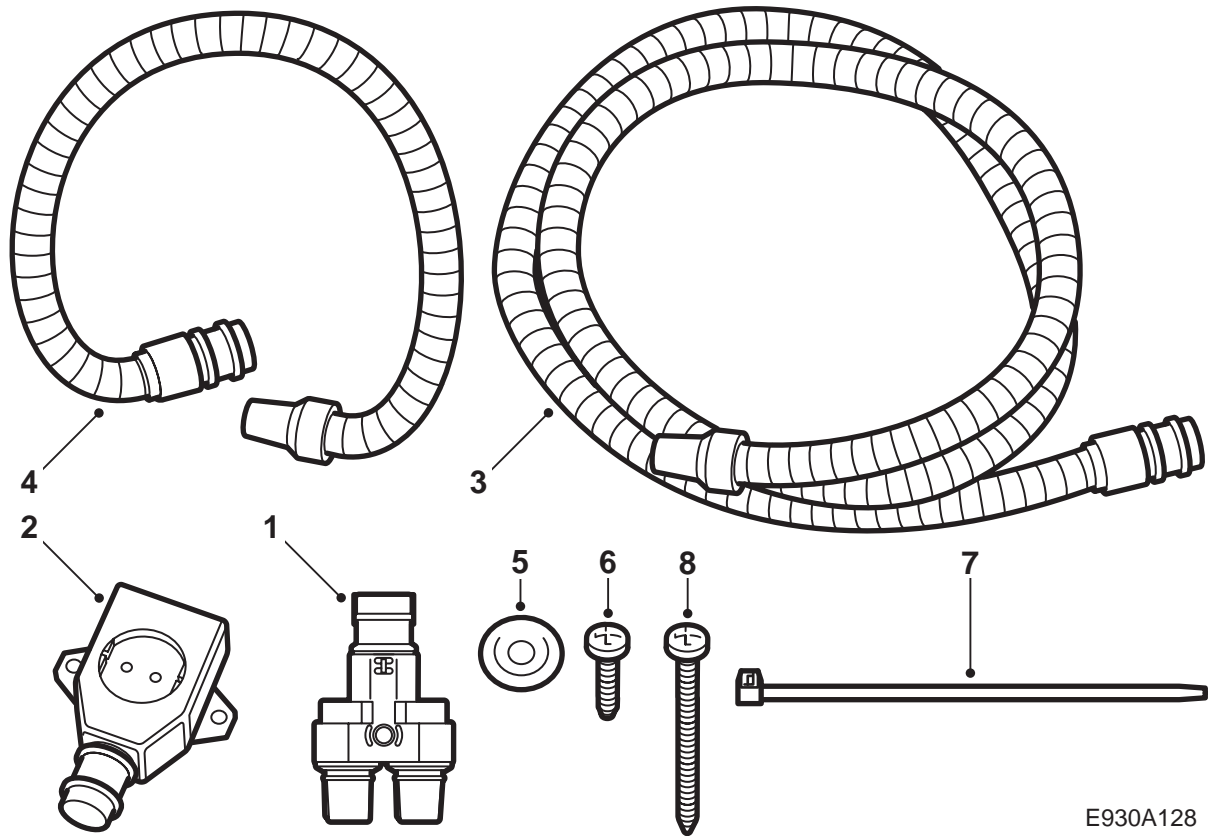
Saab 900 M94-98, Saab 9-3, Saab 9000, Saab 9-5

Branch cable set LHD

Accessories Part No.	Group	Date	Instruction Part No.	Replaces
400 127 866	9:87-24	May 00	86 95 926	86 95 926 Feb 00

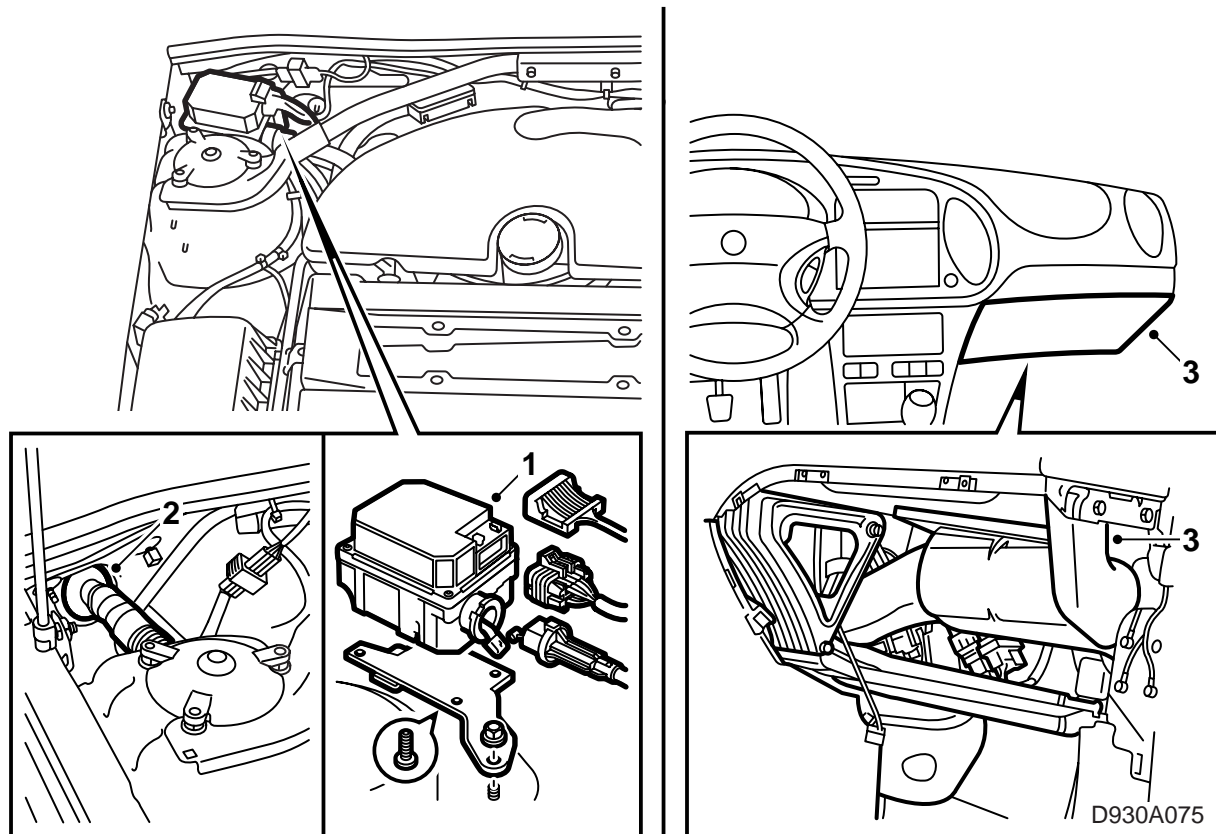


E930A142



E930A128

- 1 Branch connector
- 2 220 V socket
- 3 Connecting cable
- 4 Connecting cable
- 5 Grommet
- 6 Screw (2)
- 7 Cable tie (10)
- 8 Screw

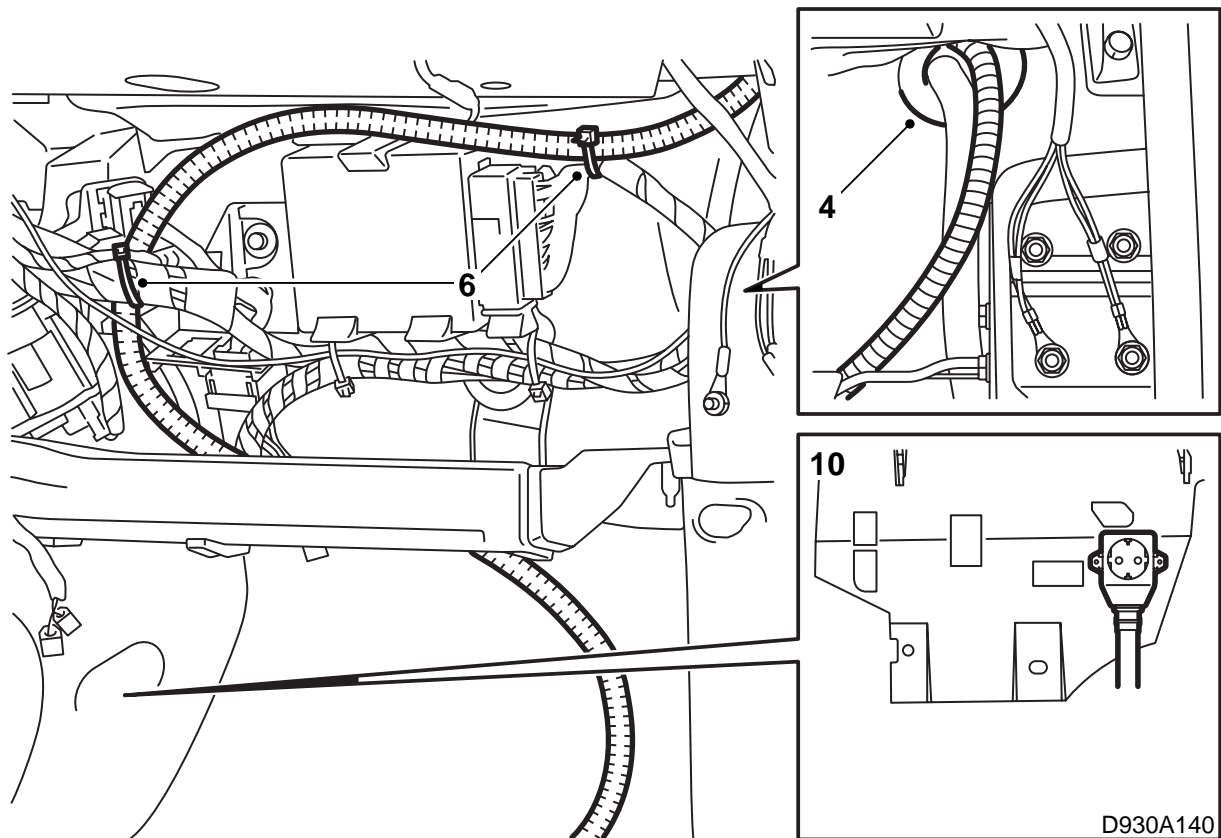


Saab 900 M94-M98, Saab 9-3

WARNING

It is essential that the extension cable O-rings are lubricated before fitting and that all connections are pressed home properly.

- 1 **With cruise control (B204/B234):** Dismantle the cruise control module by unplugging the connector and undoing the nuts. Lift away the control module.
- 2 Remove tape and fastenings at the bulkhead grommet.
- 3 Remove the glove box and the air duct to the right-hand side air vent and fold back the insulating mat.



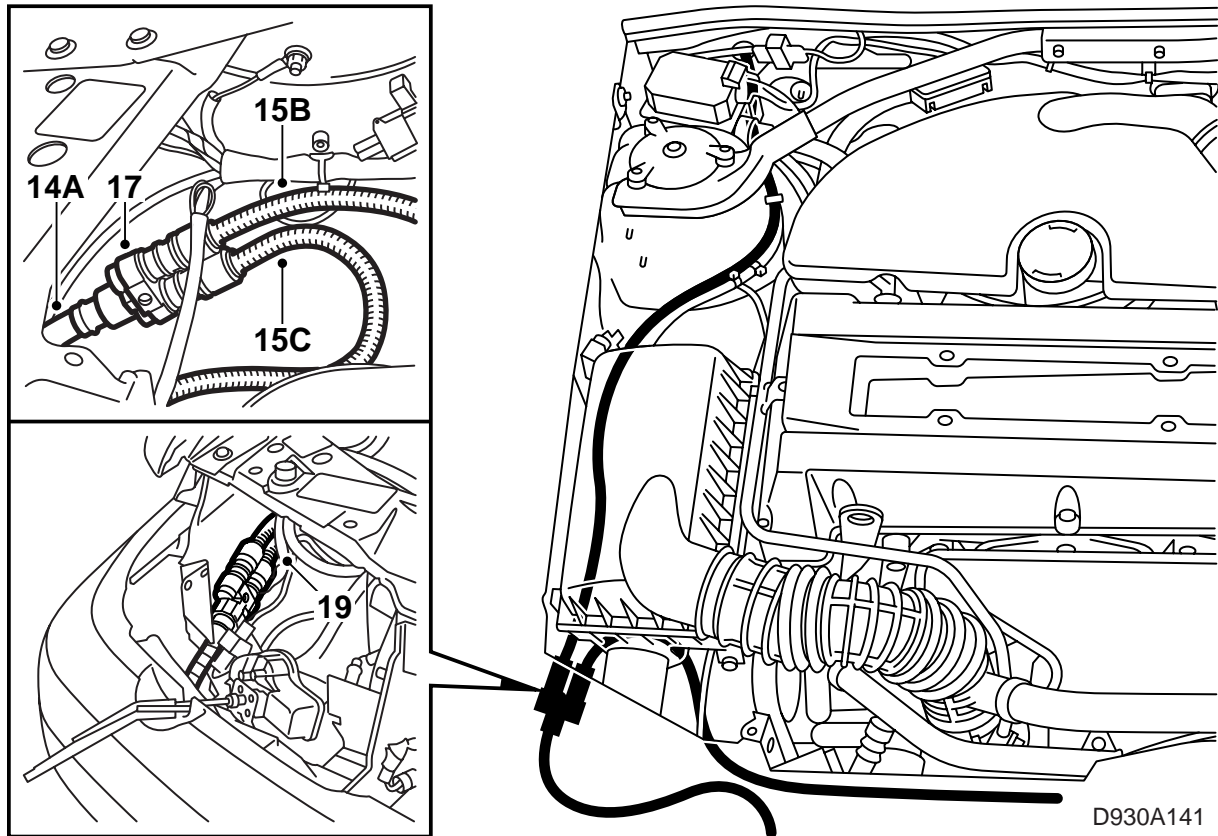
- 4 Pull the 2.0 m extension cable through the bulkhead.

Timer cables, if any, should be pulled through at the same time.

Note

Use soap solution to make it easier.

- 5 Connect the 2-metre connecting cable to the cabin socket and position the socket close to the right-hand A pillar.
- 6 Run the connecting cable inside the bulkhead partition and fasten it to the car's wiring harness, see illustration, so that it is not close to sharp edges or the like. Secure it in front of the glove box.
- 7 Seal the grommet with Teroson T242 (part no. 30 15 781) or equivalent sealant to prevent water running down the cable into the cabin.
- 8 Fit a cable tie around the grommet and seal with adhesive tape.
- 9 Refit the air duct and glove box. If necessary, measure and cut out the glove box for a better fit against the connector cable.
- 10 Mount the cabin socket below the dashboard near the A pillar, see illustration. Use an awl to mark the position of the hole. Screw the socket in place.
- 11 **With cruise control (B204/B234):** Fit the cruise control module.

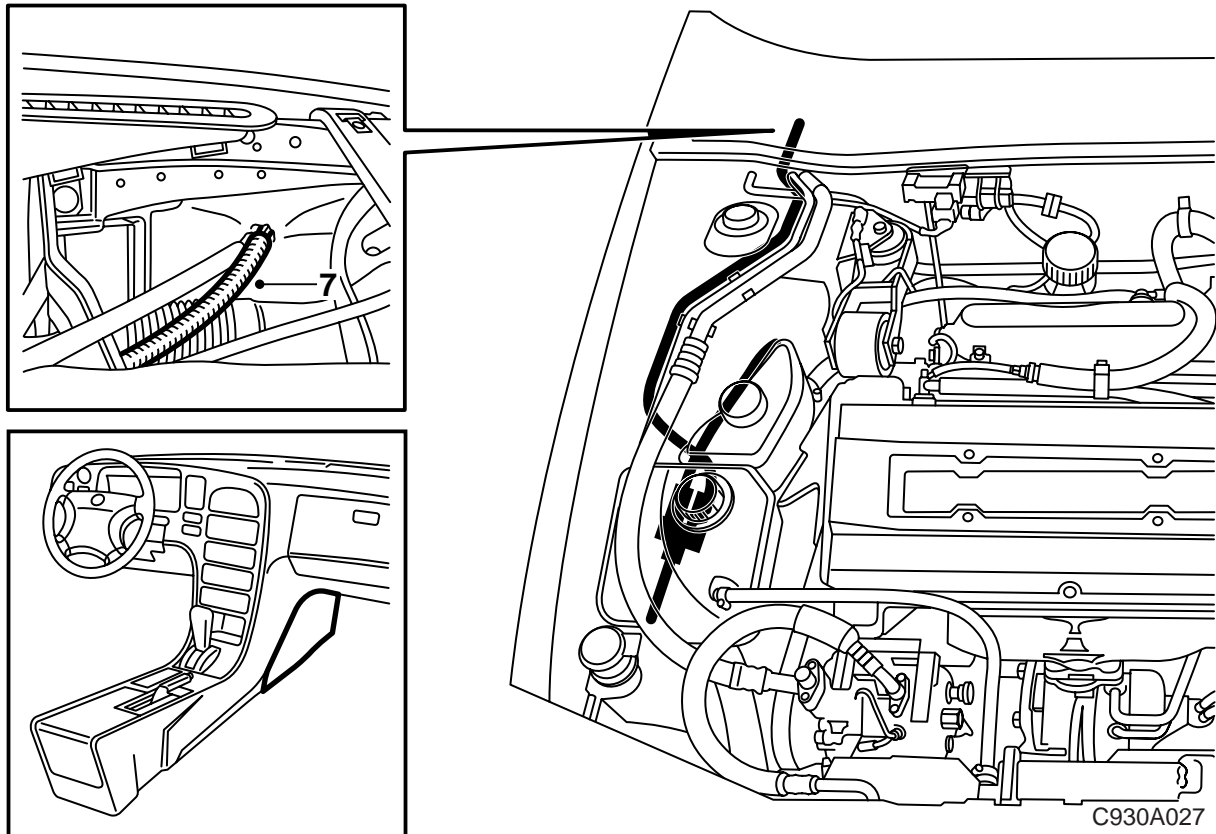


- 12 Remove the grille, right-hand direction indicator and headlamp.
- 13 Remove the air cleaner and put it to one side.
- 14 Lubricate the intake cable O-ring and connect the cable to the branch connector (A).

If the car is already fitted with an engine block heater: Unplug the cable from the engine heater. Withdraw the intake cable and push it up between the radiator and bumper member. Route the cable below the right-hand headlamp and further to the branch connector. Lubricate the intake cable O-ring and connect the cable to the branch connector (A).

- 15 Connect the 2.0 m extension cable to branch connector (B) and the 1.5 m extension cable to branch connector (C).
- 16 Connect the 1.5 m extension cable from branch connector C to the engine heater and fit the lock brace and heat shield.
- 17 Position the branch connector correctly on the wing liner below the right-hand direction indicator. Mark the hole and drill it using a 3.5 mm bit.
- 18 Deburr the hole and remove loose swarf and flakes of paint. Clean with Teroson FL cleaner. Apply Standox 1K Füllprimer. Apply finish paint. Use Terotex HV400 or Mercasol 1 on inside surfaces.
- 19 Mount the branch connector. Spray thin corrosion inhibitor, part no. 30 15 971, on the grounding

- point when the cable lug has been mounted.
- 20 Make sure there are no cables in the engine bay that are in contact with hot or sharp details. Secure the cables if necessary.
- 21 Connect to a mains outlet and check with a voltmeter.
- 22 Refit the right-hand headlamp, direction indicator, air cleaner and grille.



Saab 9000

WARNING

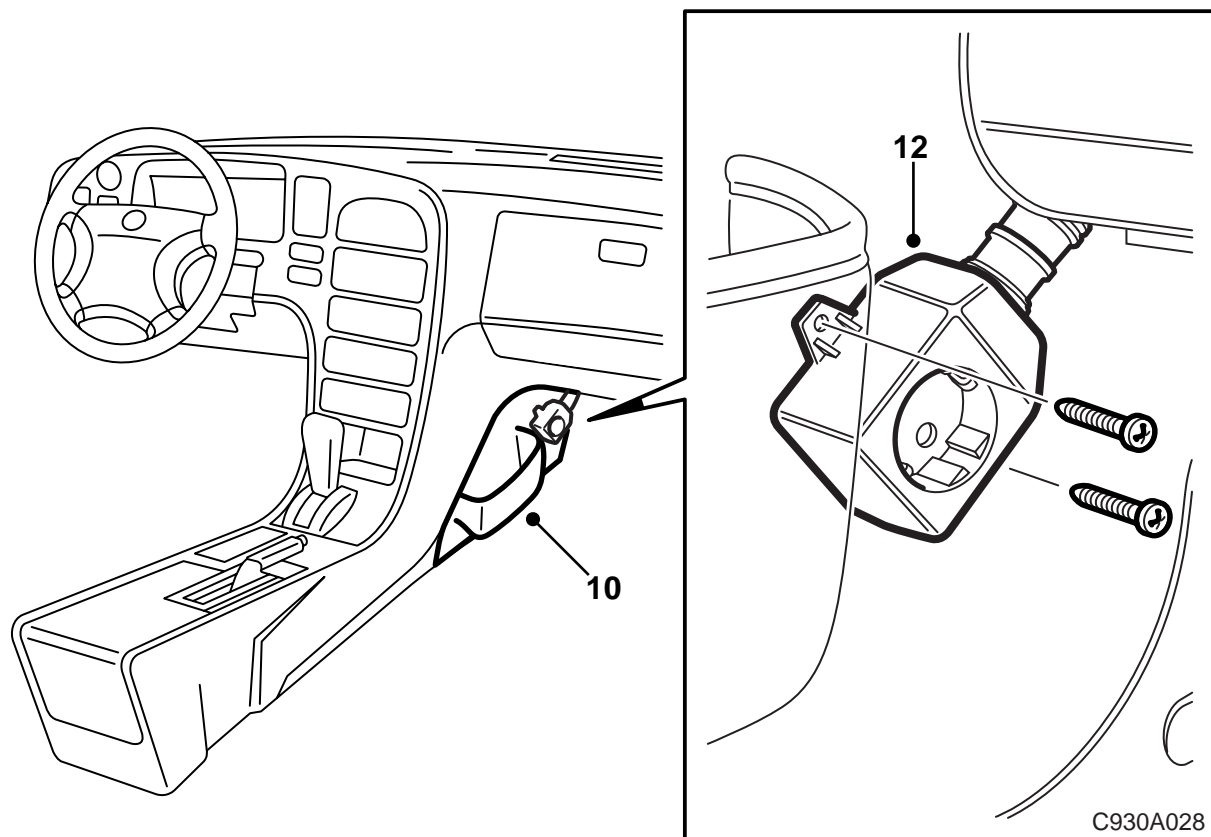
It is essential that O-rings are lubricated before fitting and that all connections are pressed home properly.

- 1 Remove the cover over the bulkhead partition space.
- 2 Remove the noise baffle below the dashboard on the passenger side.
- 3 Fold the carpet aside, remove the clip securing the insulating mat and carefully bend it down.
- 4 Remove the trim from both A pillars, both speaker grilles and the screw that becomes accessible when the glove box lid is opened, or behind the SRS emblem if the car is equipped with a passenger airbag (use a magnetic screwdriver), and lift up the upper section of the dashboard.
- 5 From the bulkhead partition space in the engine bay, drill a 22 mm hole in the bulkhead partition in the area between the evaporator casing (cars with A/C or ACC) or the fresh-air filter (cars without A/C). Use a hole saw.
- 6 Deburr the hole and remove loose swarf and flakes of paint. Clean with Teroson FL cleaner. Apply Standox 1K Füllprimer. Apply finish paint. Use Terotex HV400 or Mercasol 1 on inside surfaces.

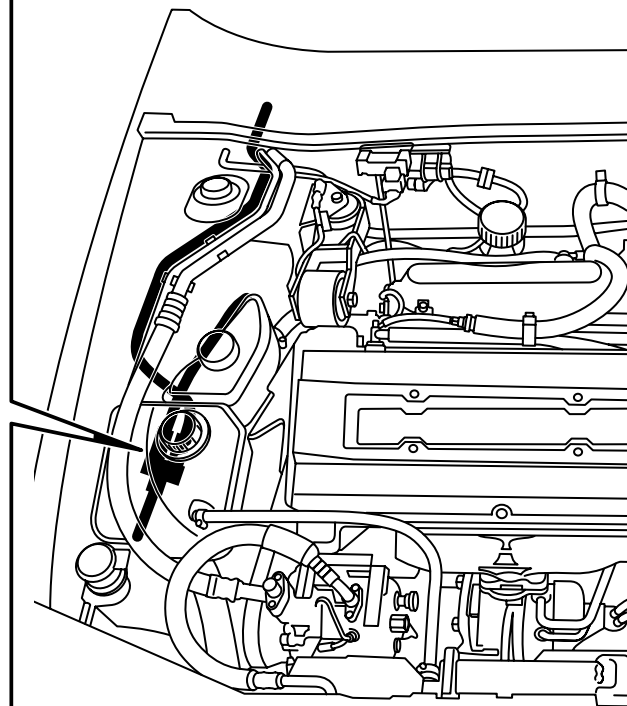
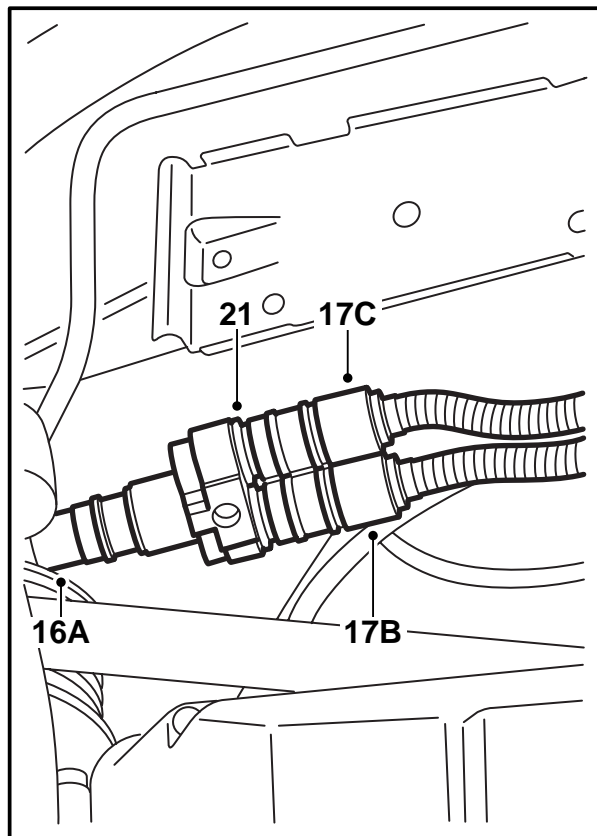
- 7 Insert the 2-metre connecting cable through the bulkhead partition to the place where the cabin socket is to be mounted.

Timer cables, if any, should be inserted at the same time.

- 8 Fit the kit's grommet from the inside and seal it with Terosan T242 (part no. 30 15 781) or equivalent sealant so that water cannot run down the cable into the cabin.



- 9 Position the cabin socket next to the front bracket for the centre console side panel, mark the positions of the holes using the socket as a template and drill the holes with a 3 mm bit.
- 10 Remove the side panel and introduce the connecting cable.
- 11 Refit the centre console's side panel.
- 12 Connect the 2-metre connecting cable to the cabin socket and screw the socket in place.
- 13 Fold the carpet back into place and refit the clip.
- 14 Refit the right-hand noise baffle under the dashboard.



C930A029

15 Pull the connecting cable forward through the seal at the removable bulkhead partition and along the right-hand structural member to the expansion tank above the right-hand wheel housing.

Follow the A/C pipes, if fitted.

16 Lubricate the intake cable O-ring and connect the cable to the branch connector (A). If the car is already equipped with an engine heater, the cable should first be detached from it.

17 Connect the 2-metre connecting cable from the cabin socket to the branch connector (B) and the 1-metre connecting cable to the branch connector (C).

18 Connect the 1.5-metre connecting cable from the branch connector (C) to the engine heater and fit the lock brace over the connection to the engine heater. A click will be heard when the clip is correctly fitted in place.

19 Position the branch connector on the wheel housing, mark the position of the hole using the connector as a template and drill the hole with a 3.5 mm bit.

20 Deburr the hole and remove loose swarf and flakes of paint. Clean with Teroson FL cleaner. Apply Standox 1K Füllprimer. Apply finish paint. Use Terotex HV400 or Mercasol 1 on inside surfaces.

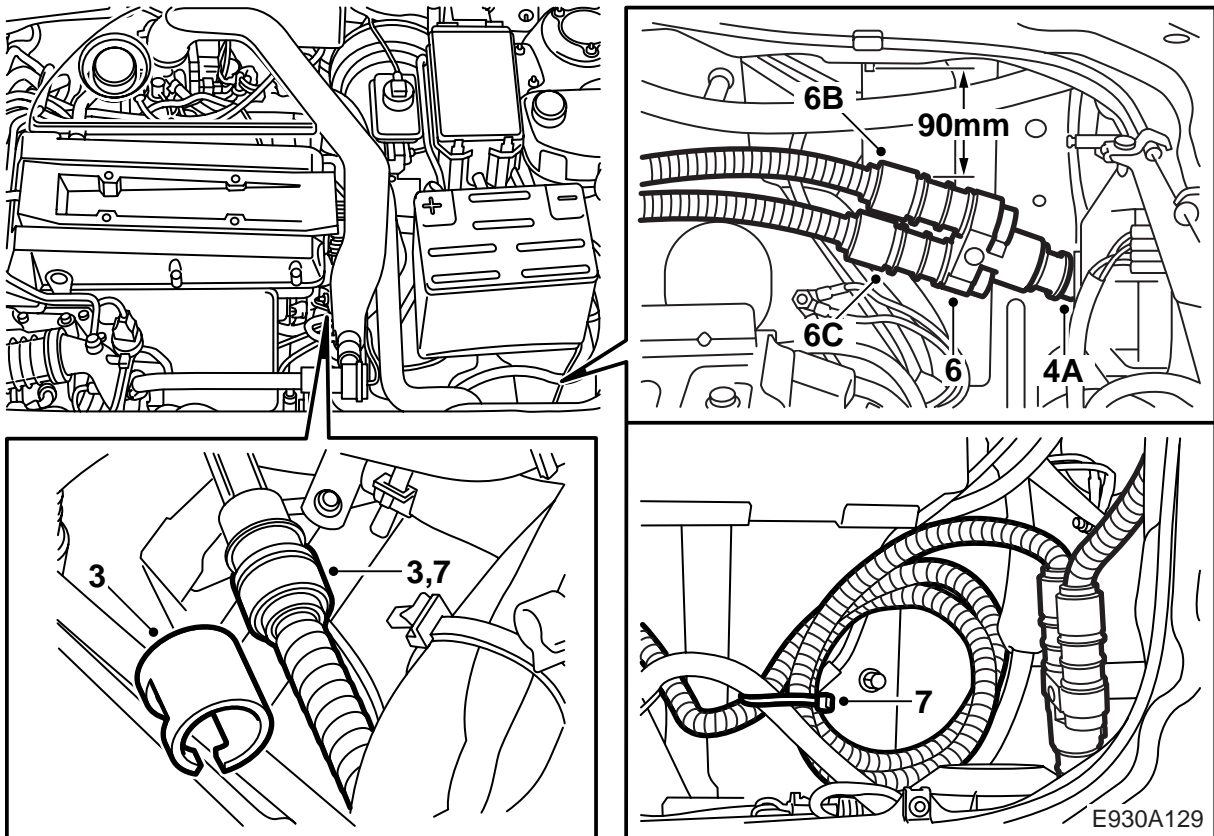
21 Fit the branch connector.

22 Make sure that no cables in the engine bay are in contact with hot or sharp components. Secure the cables as necessary.

23 Connect the equipment to a 220 V mains supply and check the 220 V socket with a voltmeter.

24 Fit the cover over the bulkhead partition space.

25 Fit the upper section of the dashboard, speaker grilles and A pillar trim. Do not forget the screw that is accessible when the glove box lid is open or, if the car is equipped with a passenger airbag, that is behind the SRS emblem.



Saab 9-5

WARNING

It is essential that the extension cable O-rings are lubricated before fitting and that all connections are pressed home properly.

- 1 If the car is fitted with a radio that is not a Saab original radio, make sure the customer is in possession of the radio code before commencing.
Disconnect and lift out the battery.
- 2 Remove the left-hand direction indicator.
- 3 If the car is already fitted with an engine heater, its cable must first be disconnected.
- 4 Plug in the connector to the branch connector (A). Mark the position of the holes using the connector as a template, see illustration. Use a 5.5 mm drill and drill the holes.

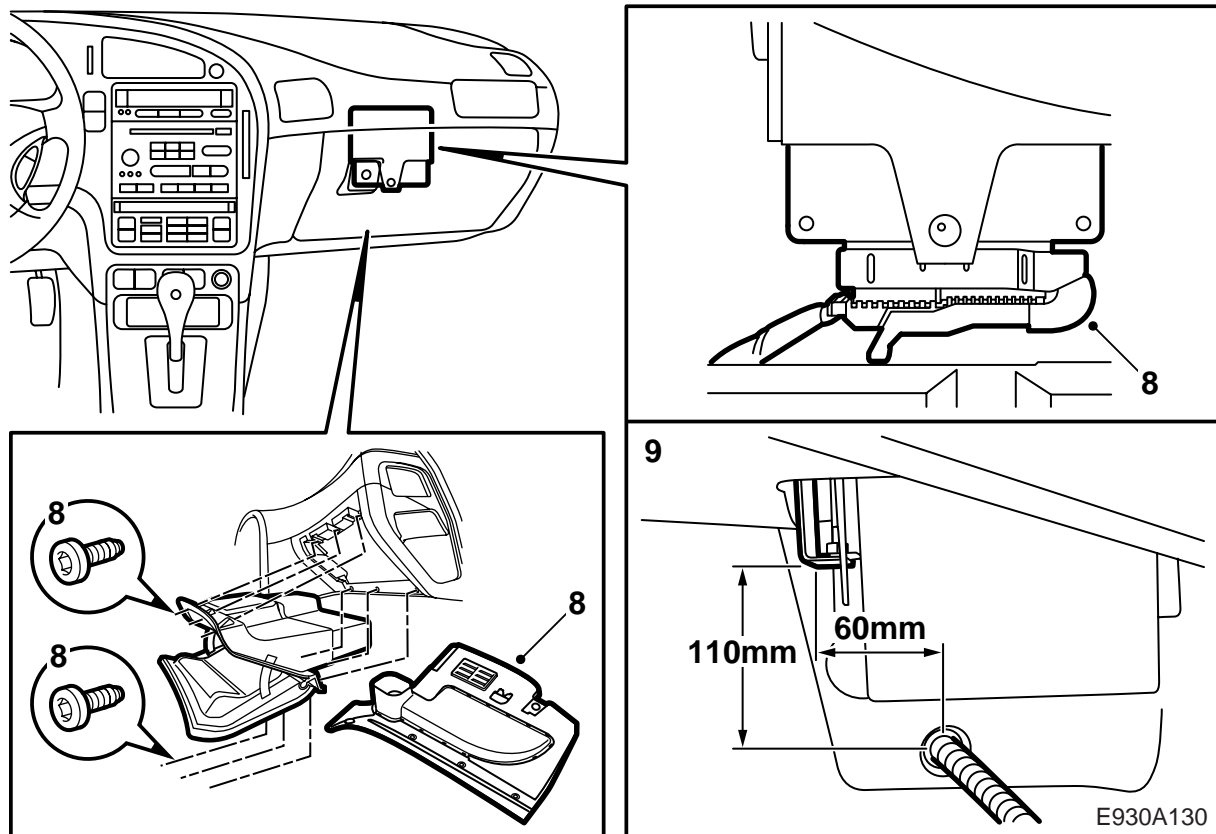
Important

Use a drill stop to avoid drilling into the washer fluid reservoir.

- 5 Deburr the hole and remove loose swarf and flakes of paint. Clean with Teroson FL cleaner. Apply Standox 1K Füllprimer. Apply finish paint. Use Terotex HV400 or Mercasol 1 on inside surfaces.
- 6 Connect the 2.0 m extension cable to the branch

connector (B) and the 1.5 m extension cable to the branch connector (C). Screw on the branch connector.

- 7 Connect the 1.5 m extension cable from the branch connector (C) to the engine heater and fit the lock brace. Roll up the excess cable from the insert heater to the branch tray and fasten it beside the battery tray.

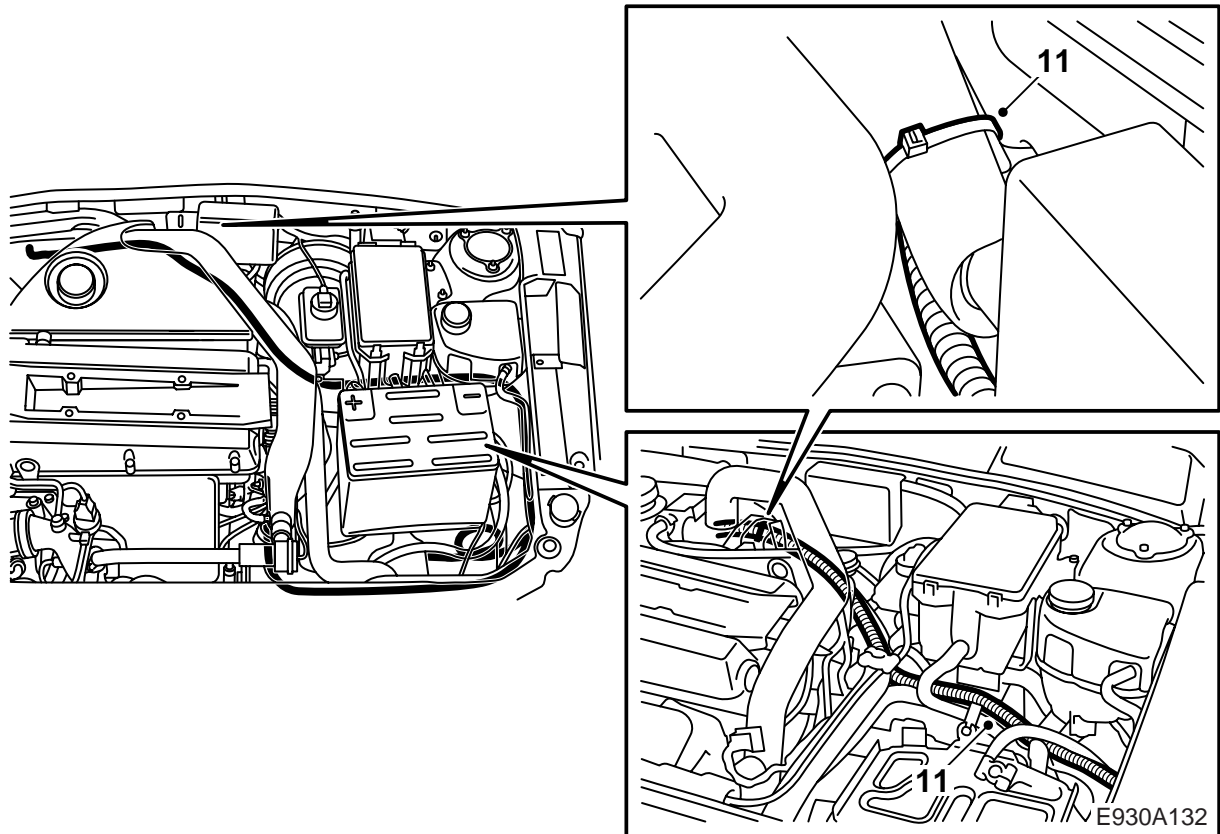


8 Remove the glove box and fold away the top of the carpet. If the glove box is cooled, detach the coolant hose.

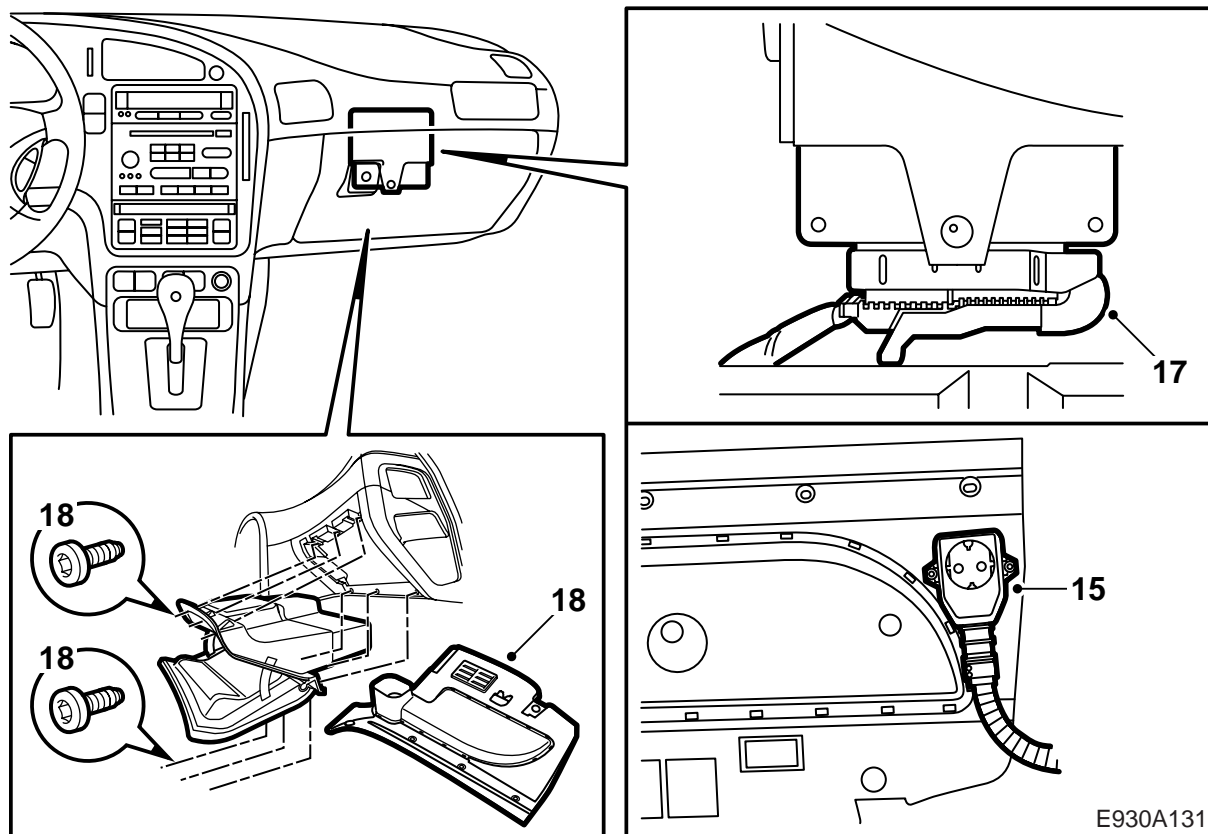
On automatic cars: Undo the cable lug from the control module and put the cable out of the way.

9 Measure out and drill a 22 mm hole with a hole saw, see illustration. Cut away a small piece of the insulation on the outside of the bulkhead partition.

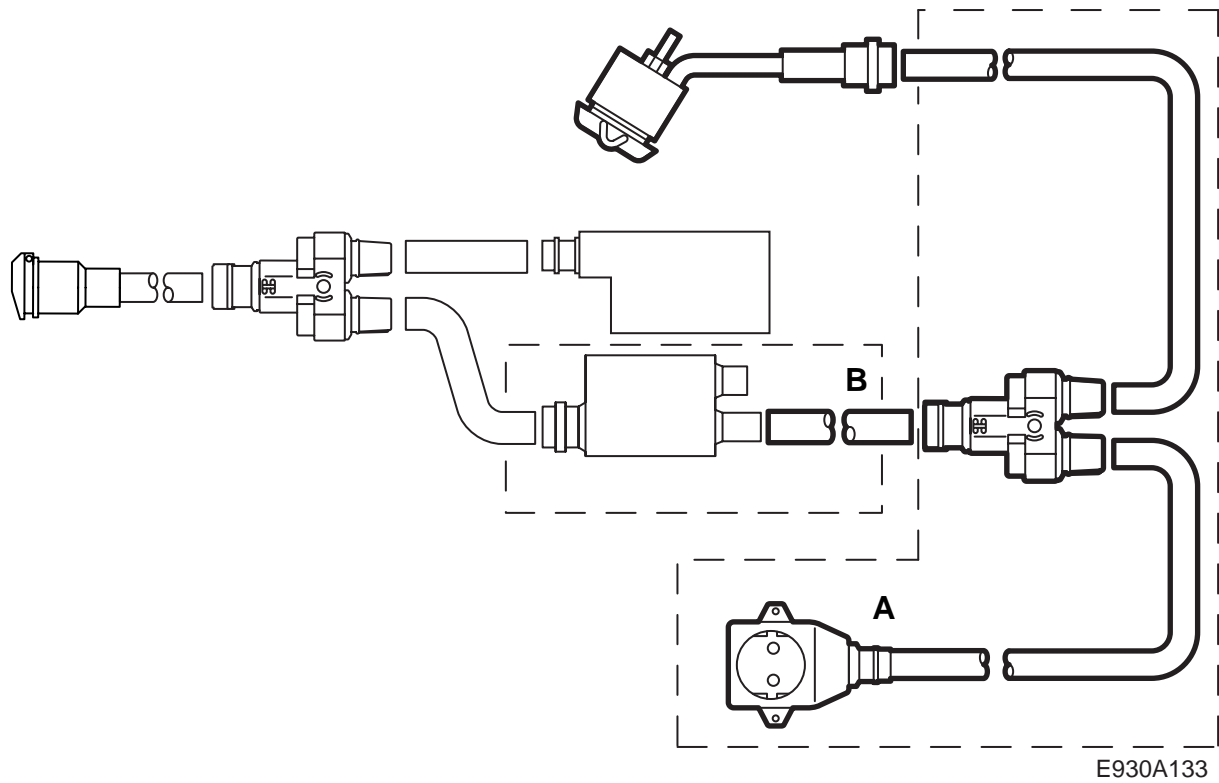
10 Remove burrs, loose cuttings and paint flakes from the hole. Clean with Teroson Cleaner FL. Apply Standox 1K Füllprimer and finishing paint. Use Terotex HV 400 or Mecasol 1 on inner surfaces.



- 11 Lay the 2.0 m extension cable along the heater hoses to the bulkhead partition. From the bulkhead, the extension cable is to follow the wiring harness to the right.
- 12 Fit the kit's grommet on the connecting cable.



- 13 Insert the 2.0 m extension cable through the bulkhead grommet to where the cabin outlet is to be fitted. Secure the cable with cable ties.
Timer cables, if any, should be inserted at the same time.
- 14 Fit the grommet from the set from the outside and seal it with Terosan T 242 (part no. 30 15 781) or equivalent sealant.
- 15 Place the mains outlet on the knee protection panel close to the A-pillar, see illustration. Mark the position of the holes with an awl.
- 16 Connect the 2.0 m extension cable to the mains outlet and screw on the outlet.
- 17 **Automatic cars:** Reconnect the control module cable lug.
- 18 Refit the coolant hose on cooled glove box. Refit the glove box.
- 19 Refit the left-hand direction indicator.
- 20 Make sure there are no cables in the engine bay that are in contact with hot or sharp details. Secure the cables on non-moving parts with cable ties.
- 21 Connect to the mains and check the mains outlet with a voltmeter.
- 22 Refit the battery and connect it. Adjust the car clock and date, and program the radio code if the radio is not a Saab original.



- A Branch connector set
- B Timer set